

Specifications

# SMART Board® 4075 interactive flat panel

Model SPNL-4075

## Overview

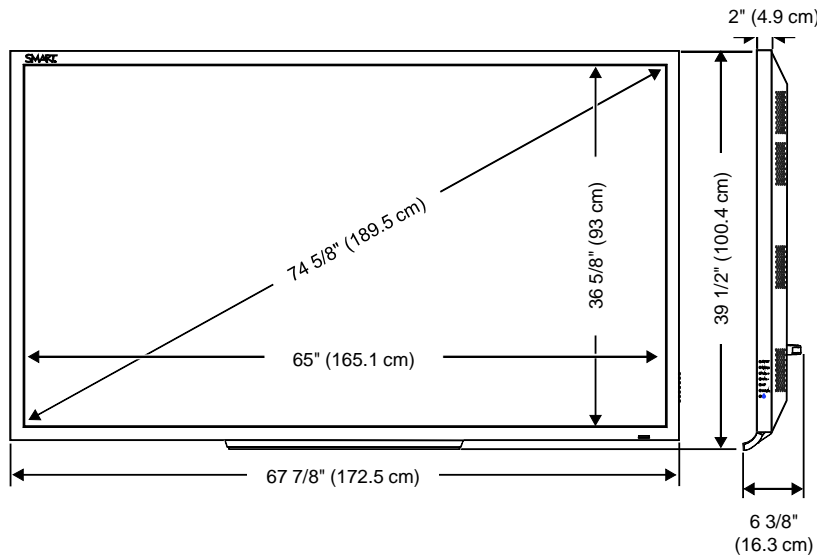
The SMART Board® 4075 interactive flat panel is designed specifically for classrooms, combining a premium touch experience with the power of SMART Notebook® collaborative learning software on a 75" (190.5 cm) LED display.

The interactive flat panel's 4K ultra-high-definition display provides optimal image clarity and features low-friction coated glass that lets fingers glide smoothly over the surface, creating a natural touch experience. The SMART Board 4075 interactive flat panel virtually eliminates glare and provides an optimal view from any angle in the classroom. It delivers an unparalleled viewing and writing experience, and offers the best value for classrooms. With 10 simultaneous touch points for Windows® operating systems and one touch point for Mac computers, multiple students can use gestures, such as zoom, rotate and flip, at the same time.

See [education.smarttech.com](http://education.smarttech.com) for more information about the SMART Board 4075 interactive flat panel.

## Dimensions and weights\*

### Dimensions



### Weight

189 lb (86 kg)

### Shipping dimensions

72 1/2" × 50 1/2" × 11"  
(184.2 cm × 128.5 cm × 28 cm)

### Shipping weight

242 lb (110 kg)

\*All dimensions ± 1/8" (0.3 cm). All weights ± 2 lb. (0.9 kg).

## Hardware

### Interaction

Touch technology	Infrared
Multi-touch capabilities	Ten simultaneous touch points on computers with Windows 7, 8 and 10 operating systems One touch point on computers with OS X 10.9, 10.10 or 10.11 operating system software
Gesture support	Windows 7, 8 and 10 operating systems OS X 10.9, 10.10 and 10.11 operating system software

### Display

Aspect ratio	16:9
Optimal resolution	4K UHD 2160p 3840 × 2160 at 60 Hz
Horizontal frequency	244-280 kHz
Vertical frequency	108-122 Hz
Contrast ratio (typical)	5000:1
Brightness (typical)	350 cd/m <sup>2</sup>
Pixel pitch	0.4298 mm
Gamut	72% of NTSC
Viewing angle	178°
Response time	6 ms

### Audio

Speakers	10 W integrated side-firing speakers (×2)
Noise level	< 20 dBa

### Included cables and hardware

Power	Country-specific power cable
USB	16' (5 m) USB A/B type
VGA	6' (18 m) D-sub 15 pin connector
Remote control	Infrared remote control
Pens and pen tray	Pen tray and two ergonomic pens with comfort grip

### Mounting

Mounting holes	For a standard VESA® 1000 mm × 600 mm mounting plate. Lower holes are 8" (20.2 cm) from the bottom of the interactive flat panel. Uses M8-1.25 screws.
----------------	--

## Connectors

### Side

HDMI®	HDMI 2.0 input. Maximum cable length of 6' 5" (2 m).
USB	USB 2.0 Type-B (touch). Maximum cable length of 6' 5" (2 m).
Power	AC power outlet with IEC 60320-C13 socket, 4A max at 100–240V AC

### Bottom

HDMI	Three HDMI 2.0 input
RGB D Sub (VGA)	D-sub 15 pin input
Component	Five RCA inputs (Y, Pb, Pr, L, R)
Composite	RCA analog audio and composite video inputs (red, white and yellow)
SPDIF	SPDIF optical output
USB-A	USB 2.0 Type-A (media access)
USB-B	USB 2.0 Type-B (touch)
PC audio	3.5 mm stereo input
Analog audio	3.5 mm stereo output
Power	AC power inlet with IEC 60320-C14 socket

## Installation requirements

<b>Interactive flat panel</b>	See the <i>SMART Board 4000 series interactive flat panel installation guide</i> ( <a href="http://smarttech.com/kb/170799">smarttech.com/kb/170799</a> )
-------------------------------	---

### Mini computer

System requirements	See <a href="http://smarttech.com/SMARTNotebookReleaseNotes">smarttech.com/SMARTNotebookReleaseNotes</a>
Power requirements	4A max at 100–240V AC
Mini computer slot	Fits computers smaller than 10" × 8" × 2" (25.4 cm × 20.3 cm × 5.1 cm)
Mounting	VESA 75 mm × 75 mm or 100 mm × 100 mm
Weight	Supports computers weighing less than 10 lb. (4.5 kg)

## Cable requirements

<b>HDMI</b>	HDMI 2.0 compliant or better Maximum length: 23' (7 m) Notes: Use only certified HDMI cables that have been tested to support the performance standard you require. The performance of cables longer than 23' (7 m) is highly dependent on the quality of the cable.
<b>USB</b>	Maximum length: 16' (5 m)
<b>VGA</b>	Maximum length: 23' (7 m)
<b>All other analog video</b>	Maximum length: 13' (4 m)
<b>Important</b>	Using cables that exceed these maximum lengths may produce unexpected results or degraded picture quality or USB connectivity. Refer to the <i>SMART installation standards</i> ( <a href="http://smartechnology.com/kb/171035">smartechnology.com/kb/171035</a> ) for a comprehensive guide on cables and extensions for SMART hardware products.

## Operating and storage requirements

<b>Power requirements</b>	100–240V AC, 50/60Hz
<b>Power consumption at 77°F (25°C)</b>	
Standby mode	0.5 W
Maximum operating	350 W (not including mini computer)
<b>Operating requirements</b>	
Operating temperature	41–95°F (5–35°C)
Operating humidity	10-80% relative humidity, non-condensing
<b>Storage requirements</b>	
Storage temperature	-13–140°F (-25–60°C)
Storage humidity	5–95% relative humidity, non-condensing

## Certification and compliance

### Regulatory certification

Regulatory certification	UL/c-UL (U.S. and Canada), FCC, IC, CE Mark, RCM Mark (Australia/New Zealand)
Pending regulatory certification	EAC (Russia) and SPRING (Singapore)

### Environmental compliance

European Union	REACH, RoHS, WEEE, Battery and Packaging
U.S.	Packaging and Conflict Minerals

## Purchasing information

**Order numbers**

SPNL-4075

SMART Board 4075 interactive flat panel, including a SMART Notebook software license key

---

**Optional accessories**See [smarttech.com/accessories](http://smarttech.com/accessories)

---

**Warranty**

Two-year standard limited warranty

---

[smarttech.com/support](http://smarttech.com/support)  
[smarttech.com/contactsupport](http://smarttech.com/contactsupport)

© 2016 SMART Technologies ULC. All rights reserved. SMART Board, SMART Notebook, smarttech, the SMART logo and all SMART taglines are trademarks or registered trademarks of SMART Technologies ULC in the U.S. and/or other countries. HDMI and all associated logos are trademarks of HDMI Licensing, LLC. All third-party product and company names may be trademarks of their respective owners. This product and/or use thereof is covered by one or more of the following U.S. patents: [www.smarttech.com/patents](http://www.smarttech.com/patents). Contents are subject to change without notice. 10/2016.